

# Pit Racks

*For Heavy-Duty Trucks and Buses*



# Full-Depth Pits for Maximum Efficiency

## Model PT Heavy-Duty Alignment T-Pit System

- ✓ Full-length rail system supports use of optional jacks for both front and rear axle lifting
- ✓ 18,000-lb. (8,165-kg) maximum front axle weight capacity
- ✓ 58 in. (1,473 mm) pit depth allows a technician to work upright
- ✓ Adjustable runways handle a wide range of track widths
- ✓ Removable heavy-duty runways give maximum workspace
- ✓

### Available options:

#### Extra 10 ft. (3,048 mm) Rail Kit (20-1517-1)

Multiples of 10 ft. (3,048 mm) can be added



Model PT shown with optional Rolling Jack Support

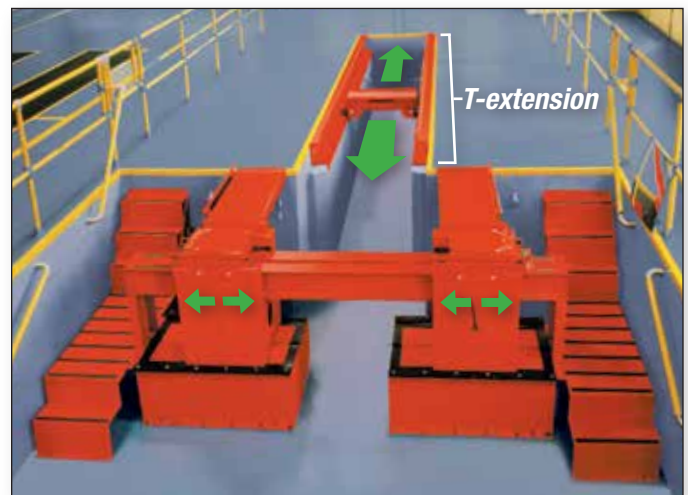
## Model PF Heavy-Duty Alignment System with beam

- ✓ 18,000-lb. (8,165-kg) maximum front axle weight capacity
- ✓ 58 in. (1,473 mm) pit depth allows a technician to work upright
- ✓ 100 tn (90.7 t) work beam capacity
- ✓ Adjustable runways handle a wide range of track widths
- ✓ Removable heavy-duty runways give maximum workspace
- ✓

### Available options:

#### T-Extension Kit (20-869-1)

#### Extra Rail Kit (20-1517-1)



Model PF with optional T-Extension

# Shallow Pit Alternative

## Model PE Medium-Duty Alignment System with beam

- ✓ 10,000-lb. (4,536-kg) maximum front axle weight capacity
- ✓ 36 in. (914 mm) pit depth
- ✓ 50 tn (45 t) work beam capacity
- ✓ Adjustable runways handle a wide range of track widths



## Popular Equipment Options



### HD Pit Jack (133-77-2)

- ✓ 32,500 lbs. (14,742 kg) total capacity or 17,500 lbs. (7,938 kg) per cylinder
- ✓ Air powered and hydraulically driven
- ✓ Cylinders can be individually adjusted side to side
- ✓ Suitable for PT pit and PF pit with optional T-extension

*Simple controls and large lifting capacity.*



### Rolling Jack Support (11-637-1)

- ✓ Designed for various styles of jacks, including bottle jacks
- ✓ Provides lifting capability on any axle at any point on the rails

### Turnplates:



**Stainless Steel Electronic Truck Turnplates** (*shown*)  
(25-158-1)

**Electronic Truck Turnplates**  
(25-139-1)



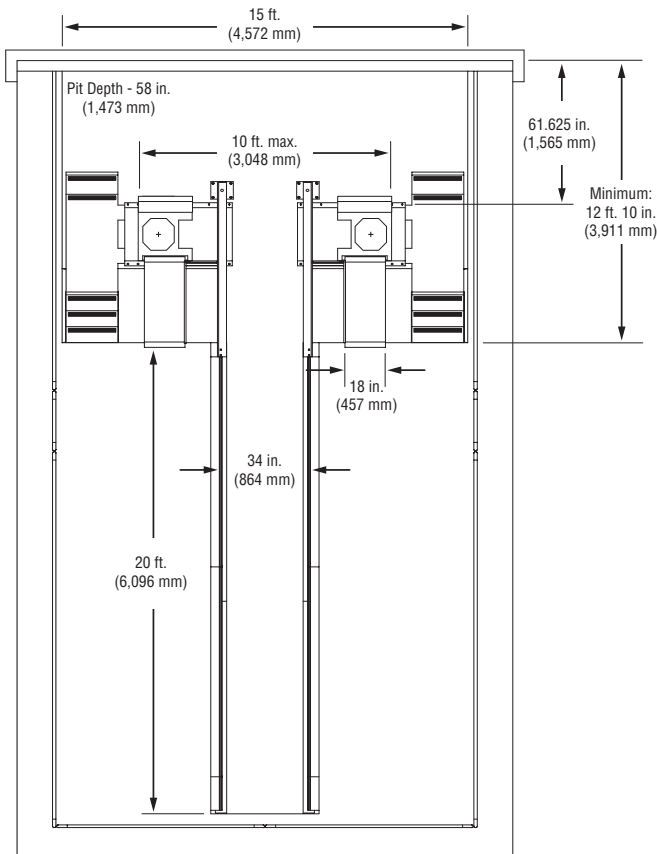
**Heavy-Duty Truck Turnplates for Audit Purposes** (*shown*)  
(25-71-1)

**Standard Heavy-Duty Truck Turnplates**  
(25-24-1)

# Specifications and site requirements

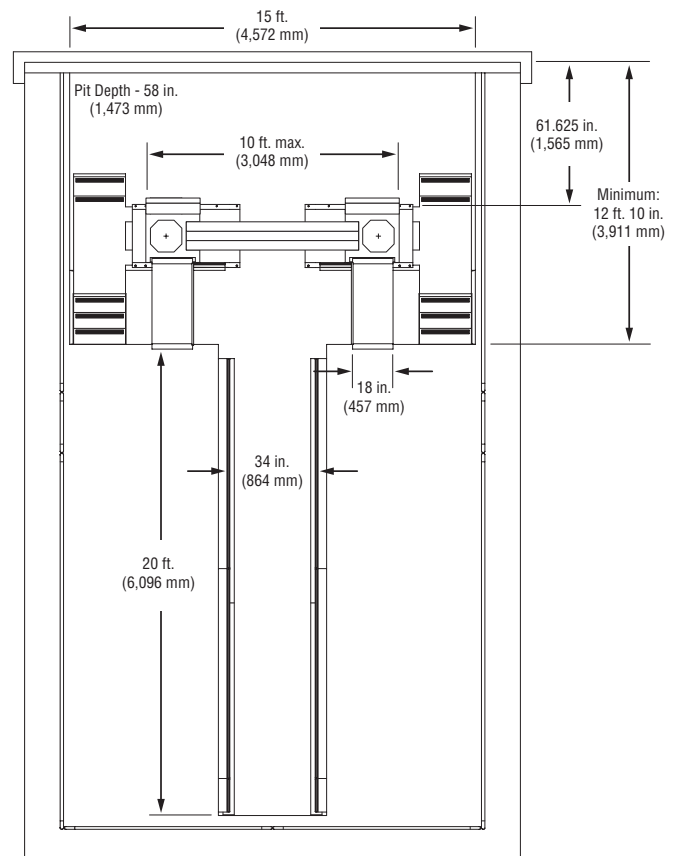
## Model PT

For Model PT blueprint, order 4731-T



## Model PF with T-extension

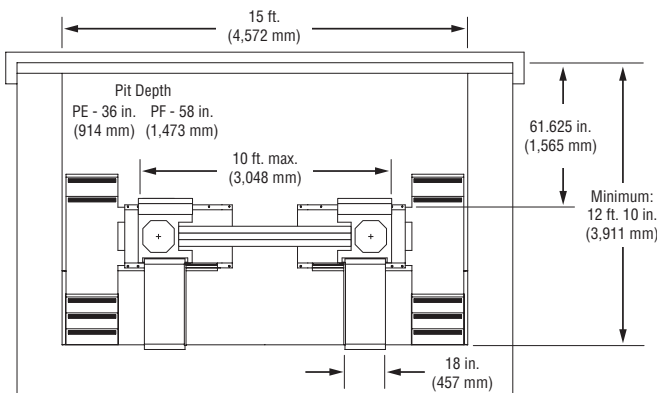
For Model PF blueprint, order 3507-T



## Models PE and PF without T-extension

For Model PF blueprint without T-extension, order 752-T

For Model PE blueprint, order 744-T



## Important:

Refer to construction blueprints before starting project. Dimensions shown here are abbreviated for clarity.

*Because of continuing technological advances, specifications, models and options are subject to change without notice.*

**HUNTER**  
Engineering Company

[www.hunter.com](http://www.hunter.com)