

On-Car Lathes

QCLH Series Brake Lathes

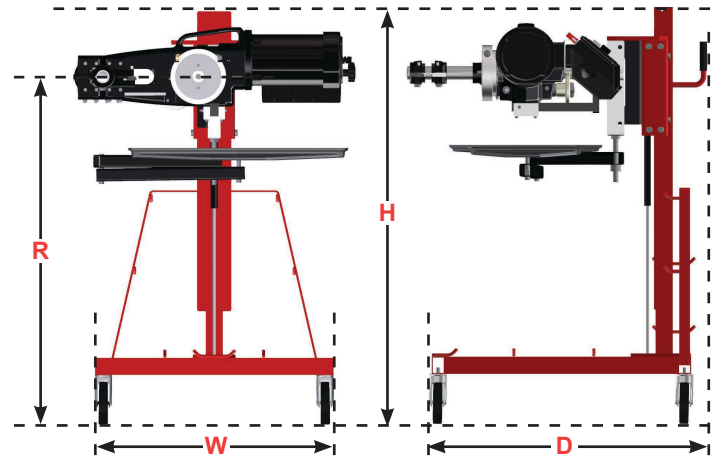
HUNTER
Engineering Company

SPECIFICATIONS

QCLH BRAKE LATHES	
Power Requirements	115V, 15A, 60Hz, 1 ph NEMA 5-15P (230V, 50-60Hz optional)
Rotor Max Diameter	15.75 in. (400 mm) / 16.25 in. (413 mm) *
Rotor Max Width	2.75 in. (70 mm) / 3.25 in. (83 mm) *
Feed Distance	4.3 in. (109 mm)
Spindle Speed	Adjustable and auto variable (ACT), 0-120 rpm reversible
Motor	1.5 hp (1.12 kw) @ 3450 rpm
Spindle Height, High Range (R)	24.5"-40.5" (622-1029 mm)
Spindle Height, Low Range (R)	20.25"-36.25" (514-921 mm)**
Shipping Weight	208 lbs. (94 kg)
Width (W)	27 in. (686 mm)
Height (H)	47 in. (1194 mm)
Depth (D)	34 in. (864 mm)

* With optional Extended Twin Cutter Tool Assembly (20-1853-1)

** With lift strut in lower position



MODEL INFORMATION

QCLPRO*



*Not all adaptors shown.

Because of continuing technological advancements, specifications, models and options are subject to change without notice.

Form 6501-T, 12-15
Supersedes Form 6501-T, 04-15
Copyright © 2012-2015, Hunter Engineering Company

BRAKE LATHE MODELS

QCLH	QuickComp Lathe Includes compensation adaptor, speed wrench and standard accessories. 208 lbs. (94 kg) shipping weight.
QCLHPAS	QuickComp Lathe: Passenger Includes same items as QCLH, plus QuickComp Passenger adaptor kit. 218 lbs. (99 kg) shipping weight.
QCLHPRO	QuickComp Lathe: Pro Includes same items as QCLH, plus QuickComp PRO adaptor kit. 288 lbs. (131 kg) shipping weight.

For on-car brake lathe information visit:
www.hunter.com/ocl

For local contact visit:
www.hunter.com/contact-hunter

For general inquiries visit:
www.hunter.com
or call
800-448-6848