

# Road Force® Elite Wheel Balancer

**HUNTER**  
Engineering Company

## SPECIFICATIONS



RFE13™ Shown

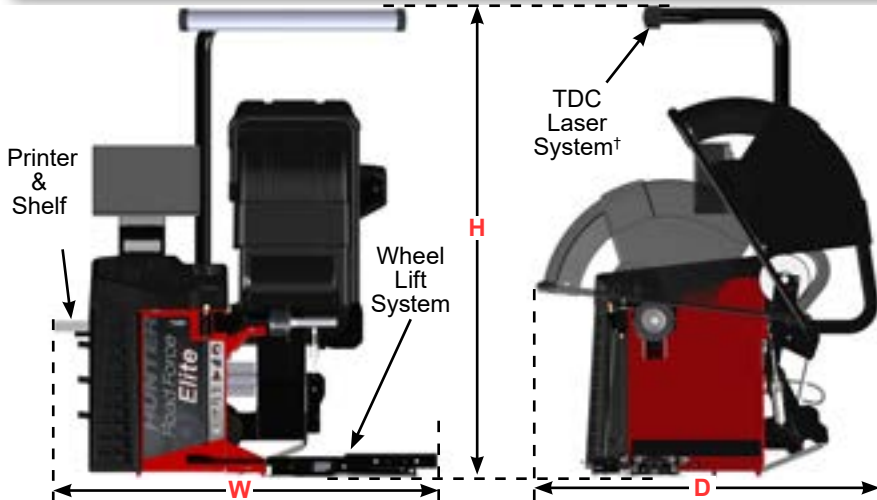
<b>Power Requirements</b>	196-253V, 10 amp, 50/60 Hz, 1 ph NEMA L6-20P plug included
<b>Air Supply Requirements</b>	100-175 psi (7-12 bar)
<b>Approximate Air Consumption:</b>	4 CFM (113 Liters/Minute)
<b>Internet Recommendations</b>	Hardwire or Wireless add on, 10+mbps up and down
<b>Roller Force</b>	Variable up to 1,250 lbs (567 kg)
<b>Rim Width Range</b>	1.5 in to 20.5 in (38 mm to 521 mm)
<b>Rim Diameter Range</b>	10 in to 30 in (254 mm to 762 mm)*
<b>ALU</b>	14 in to 40 in (356 mm to 1016 mm)*
<b>Max. Tire Diameter</b>	40 in (1016 mm)
<b>Max. Tire Width</b>	20 in (508 mm)
<b>Max. Tire Weight</b>	175 lbs (79 kg)
<b>Radial &amp; Lateral Runout Accuracy</b>	0.002 in (0.051 mm)
<b>Imbalance Resolution</b>	± 0.01 oz (0.28 g)
<b>Placement Accuracy</b>	512 positions, ± 0.35°
<b>Balancing Speed</b>	300 rpm
<b>Motor</b>	Programmable drive system and DC motor

\* Extreme wheel sizes may require manual data entry.

## MODEL FEATURES / DIMENSIONS\*\*

	RFE33	RFE32	RFE31	RFE30	RFE23	RFE22	RFE21	RFE20	RFE13	RFE12	RFE11	RFE10	RFE03	RFE02	RFE01	RFE00
<b>Wheel Lift</b>	✓	✓	✓	✓					✓	✓	✓	✓				
<b>SpeedClamp®</b>	✓	✓	✓	✓	✓	✓	✓	✓								
<b>TDC Laser†</b>	✓	✓			✓	✓			✓	✓			✓	✓		
<b>Printer &amp; Shelf</b>	✓		✓		✓		✓		✓		✓		✓		✓	
<b>Width (W)</b>	72 in. 1829 mm	64 in. 1626 mm	72 in. 1829 mm	64 in. 1626 mm	65 in. 1651 mm	57 in. 1448 mm	65 in. 1651 mm	57 in. 1448 mm	72 in. 1829 mm	64 in. 1626 mm	72 in. 1829 mm	64 in. 1626 mm	65 in. 1651 mm	57 in. 1448 mm	65 in. 1651 mm	57 in. 1448 mm
<b>Height (H)</b>	89 in. 2261 mm	89 in. 2261 mm	70 in. 1778 mm	70 in. 1778 mm	89 in. 2261 mm	89 in. 2261 mm	70 in. 1778 mm	70 in. 1778 mm	89 in. 2261 mm	89 in. 2261 mm	70 in. 1778 mm	70 in. 1778 mm	89 in. 2261 mm	89 in. 2261 mm	70 in. 1778 mm	70 in. 1778 mm
<b>Depth (D)</b>	63 in. 1600 mm	63 in. 1600 mm	63 in. 1600 mm	63 in. 1600 mm	63 in. 1600 mm	63 in. 1600 mm	63 in. 1600 mm	63 in. 1600 mm	63 in. 1600 mm	63 in. 1600 mm	63 in. 1600 mm	63 in. 1600 mm	63 in. 1600 mm	63 in. 1600 mm	63 in. 1600 mm	63 in. 1600 mm
<b>Weight</b>	928 lb 421 kg	876 lb 397 kg	873 lb 396 kg	821 lb 372 kg	829 lb 376 kg	777 lb 352 kg	774 lb 351 kg	739 lb 335 kg	928 lb 421 kg	876 lb 397 kg	873 lb 396 kg	821 lb 372 kg	829 lb 376 kg	777 lb 352 kg	774 lb 351 kg	722 lb 327 kg

\*\*Road Force® Elite model numbers are trademarks of Hunter Engineering Company



**For balancer information visit:**  
[www.hunter.com/wheel-balancers](http://www.hunter.com/wheel-balancers)  
and  
[www.gsp9700.com](http://www.gsp9700.com)

**For local contact visit:**  
[www.hunter.com/contact-hunter](http://www.hunter.com/contact-hunter)

**For general inquiries visit:**  
[www.hunter.com](http://www.hunter.com)  
or call  
**800-448-6848**

Because of continuing technological advancements, specifications, models and options are subject to change without notice.

The Road Force® Elite Wheel Balancer is a Class 1 laser product.

† When equipped with the TDC system, the balancer is a Class 2M laser product.

**⚠ LASER RADIATION - DO NOT STARE INTO THE BEAM OR VIEW DIRECTLY WITH OPTICAL INSTRUMENTS.**  
Viewing the laser output with magnifiers or related optical instruments within a distance of 100 mm from the laser aperture may pose an eye hazard

Form 7103-T, 07-21a  
Supersedes Form 7103-T, 04-16a  
Copyright © 2016-2021, Hunter Engineering Company